**46253**

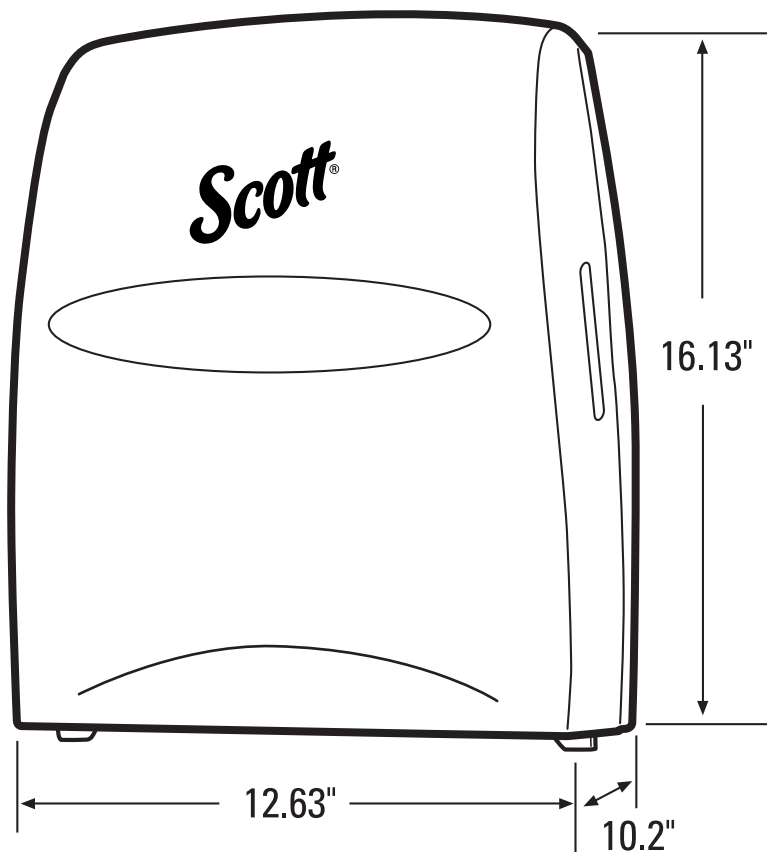
SCOTT® ESSENTIAL* TOWEL DISPENSER SYSTEM, SMOKE

Made of durable, shatter-proof plastic with a smoked transparent cover and a gray back. Dispenser automatically advances and cuts a nominal 12" of towel when activated by pulling exposed towel. No-touch dispensing system helps minimize the spread of dirt and germs. Dispenses one 8" diameter roll with 1.75" cores. Features include emergency feed knob and choice of key-activated spring lock or push button operation. 1 per case.

Suggested mounting height is 48" maximum from the bottom of housing.

When installed properly and used with the corresponding product, this dispenser meets the ADA Standards for Accessible Design, local rules may vary.

NOTE: Unless otherwise noted, suggested mounting height is the distance from the floor to the bottom of the dispenser.

**46254**

SCOTT® ESSENTIAL* TOWEL DISPENSER SYSTEM, WHITE

Made of durable, shatter-proof plastic with a white cover and a white back. Dispenser automatically advances and cuts a nominal 12" of towel when activated by pulling exposed towel. No-touch dispensing system helps minimize the spread of dirt and germs. Dispenses one 8" diameter roll with 1.75" cores. Features include emergency feed knob and choice of key-activated spring lock or push button operation. 1 per case.

Suggested mounting height is 48" maximum from the bottom of housing.

When installed properly and used with the corresponding product, this dispenser meets the ADA Standards for Accessible Design, local rules may vary.

NOTE: Unless otherwise noted, suggested mounting height is the distance from the floor to the bottom of the dispenser.



Reliable dispensing
from one of the world's
most trusted brands

NEW Scott® Essential* Towel Dispenser System

You have more important things to worry about than paper towels. That's why we're introducing the NEW Scott® Essential* Towel Dispenser System.

The first Scott® branded system on the market, it's a simple solution designed to keep you moving in a hectic, fast-paced world. **Backed by a lifetime warranty and 12 years of proven performance**, our Sanitouch dispenser is now enhanced with Scott® Brand benefits including:¹

- Dependable dispensing – from one of the world's most trusted brands
- One of the fastest roll change times on the market
- Up to seven days a year in labor savings
- Quick load feature and keyless locking option

The Scott® Essential* Towel Dispenser System is designed to save you time and money, while reducing any disruptions or user complaints. It takes the worry out of restroom towel dispensing so you can focus on more important things.



¹ A Kimberly-Clark Professional* study found you can save up to 7 days of labor, as compared to a competitor's standard folded towel systems. The new Scott® Essential* System also has one of the fastest roll change times, as compared to a competitor's manual hard roll towel systems.



[†] Lifetime warranty applies to proprietary dispensers while they are installed and the end-user account is exclusively using Kimberly-Clark Professional* products for those dispensers. For more information, visit www.KCProfessional.com/lifetimewarranty.





Smooth operations

You've known and trusted Scott® Brand towels for years. Now, you can have Scott® towels and a dispenser, too – with the **NEW Scott® Essential* Towel Dispenser System**.

It's specifically designed to improve the efficiency of your operations by reliably dispensing towels, each and every time.

Hygienic. Dependable. Long-lasting. Switch to this new solution to solve your paper towel dispensing issues once and for all.



Features:

- Check supply levels without opening dispenser
- Keyless entry option
- Touchless dispensing & battery-free
- Reloads in a few easy steps
- ECOLOGO & FSC® certified towel meets EPA minimums for post-consumer recycled content
- Compostable towels²
- Minimize waste with stub roll feature
- Patented Absorbency Pockets* technology



² All Kimberly-Clark Professional* paper towels can be aerobically composted in municipal or industrial facilities in the United States and Canada by ASTM D6868-11.

Scott® Essential* Towel Dispenser System

Dispensers

Code	Description	Finish	Dimensions (W x H x D)	Units/Case	Fits Product
46253	Scott® Essential* System Touchless, Roll Towel Dispenser	Smoke	12.63" x 16.13" x 10.2" 32.1cm x 41.0cm x 25.9cm	1	02001
46254	Scott® Essential* System Touchless, Roll Towel Dispenser	White	12.63" x 16.13" x 10.2" 32.1cm x 41.0cm x 25.9cm	1	02001
09997	HACCP Conversion Kit	Smoke	13" x 16.4" x 1.5" 33.1cm x 41.6cm x 3.9cm	2	46253, 46254

Hard Roll Towel

Code	Description	Color	Dimensions (W x L)	Units/Case	EPA	FSC®	ECOLOGO
02001	Scott® Essential* Hard Roll Towel	White	8.0" x 95.0" 20.3cm x 289.5m	6	✓	✓	✓

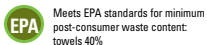
To learn more, please contact your Kimberly-Clark Professional* sales representative or visit www.KCProfessional.com

Contact customer service: 1-888-346-GOKC (4652)

Our Guarantee

Your total satisfaction means everything to us. If, for any reason, our products do not meet your expectations, Kimberly-Clark will reimburse you† for your initial purchase, via FREE product, for up to \$1,000. For more information on Kimberly-Clark Professional*, visit us online at www.KCProfessional.com.

† Guarantee extended to consuming end-user accounts only.



PRODUCT CERTIFIED FOR REDUCED ENVIRONMENTAL IMPACT. VIEW SPECIFIC ATTRIBUTES EVALUATED: UL.COM/EL. UL 175



The mark of responsible forestry

Kimberly-Clark warrants that its products (1) comply with K-C's standard specifications as of the delivery date to K-C's authorized distributors/direct purchasers (2) comply with all K-C labeling representations; and (3) are manufactured in compliance with all applicable federal, state, and local laws in effect at the time and place of manufacture of the products. **THIS WARRANTY IS IN LIEU OF ALL OTHER WARRANTIES, EXPRESS OR IMPLIED, INCLUDING ANY WARRANTY OF MERCHANTABILITY OR FITNESS FOR A PARTICULAR PURPOSE.** K-C is not liable for any kind of special, incidental, or consequential damages. K-C's liability for breach of contract, tort or other cause of action shall not exceed the product purchase price. Purchasers and users are deemed to have accepted the above warranty and limitation of liability, and cannot change the terms by verbal agreement or by any writing not signed by K-C. To the extent required by applicable law, K-C does not limit its liability for death/injury resulting from K-C's negligence.

®/™ Trademarks of Kimberly-Clark Worldwide, Inc. or its affiliates. Marques déposées de Kimberly-Clark Worldwide, Inc. ou de ses filiales. © KCWW. Printed in the USA. P16-10086-0-00E 4/16



Exceptional Workplaces®